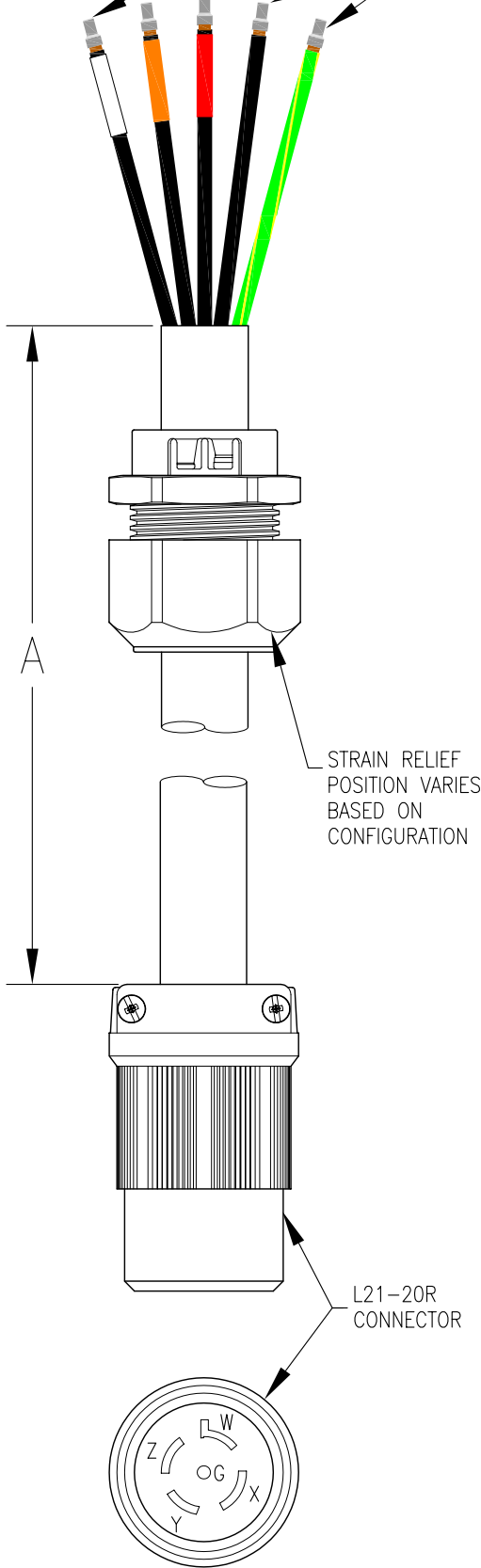


- BLACK FOUR-4 (N) WITH WHITE BAND MARKER
- BLACK THREE-3 (L3) WITH ORANGE BAND MARKER
- BLACK TWO-2 (L2) WITH RED BAND MARKER
- BLACK ONE-1 (L1)
- GREEN/YELLOW



SKU#	A	CABLE TYPE
PDW5L21-20R	5'	TC. 5 WIRE CABLE. #12 AWG, UL APP'D, W/L21-20R
PDW7L21-20R	7'	TC. 5 WIRE CABLE. #12 AWG, UL APP'D, W/L21-20R
PDW9L21-20R	9'	TC. 5 WIRE CABLE. #12 AWG, UL APP'D, W/L21-20R
PDW11L21-20R	11'	TC. 5 WIRE CABLE. #12 AWG, UL APP'D, W/L21-20R
PDW13L21-20R	13'	TC. 5 WIRE CABLE. #12 AWG, UL APP'D, W/L21-20R
PDW15L21-20R	15'	TC. 5 WIRE CABLE. #12 AWG, UL APP'D, W/L21-20R
PDW17L21-20R	17'	TC. 5 WIRE CABLE. #12 AWG, UL APP'D, W/L21-20R
PDW19L21-20R	19'	TC. 5 WIRE CABLE. #12 AWG, UL APP'D, W/L21-20R
PDW21L21-20R	21'	TC. 5 WIRE CABLE. #12 AWG, UL APP'D, W/L21-20R
PDW23L21-20R	23'	TC. 5 WIRE CABLE. #12 AWG, UL APP'D, W/L21-20R
PDW25L21-20R	25'	TC. 5 WIRE CABLE. #12 AWG, UL APP'D, W/L21-20R
PDW27L21-20R	27'	TC. 5 WIRE CABLE. #12 AWG, UL APP'D, W/L21-20R
PDW29L21-20R	29'	TC. 5 WIRE CABLE. #12 AWG, UL APP'D, W/L21-20R
PDW31L21-20R	31'	TC. 5 WIRE CABLE. #12 AWG, UL APP'D, W/L21-20R
PDW33L21-20R	33'	TC. 5 WIRE CABLE. #12 AWG, UL APP'D, W/L21-20R
PDW35L21-20R	35'	TC. 5 WIRE CABLE. #12 AWG, UL APP'D, W/L21-20R
PDW37L21-20R	37'	TC. 5 WIRE CABLE. #12 AWG, UL APP'D, W/L21-20R
PDW39L21-20R	39'	TC. 5 WIRE CABLE. #12 AWG, UL APP'D, W/L21-20R
PDW41L21-20R	41'	TC. 5 WIRE CABLE. #12 AWG, UL APP'D, W/L21-20R
PDW43L21-20R	43'	TC. 5 WIRE CABLE. #12 AWG, UL APP'D, W/L21-20R
PDW45L21-20R	45'	TC. 5 WIRE CABLE. #12 AWG, UL APP'D, W/L21-20R
PDW47L21-20R	47'	TC. 5 WIRE CABLE. #12 AWG, UL APP'D, W/L21-20R
PDW49L21-20R	49'	TC. 5 WIRE CABLE. #12 AWG, UL APP'D, W/L21-20R
PDW51L21-20R	51'	TC. 5 WIRE CABLE. #12 AWG, UL APP'D, W/L21-20R
PDW53L21-20R	53'	TC. 5 WIRE CABLE. #12 AWG, UL APP'D, W/L21-20R
PDW55L21-20R	55'	TC. 5 WIRE CABLE. #12 AWG, UL APP'D, W/L21-20R
PDW57L21-20R	57'	TC. 5 WIRE CABLE. #12 AWG, UL APP'D, W/L21-20R
PDW59L21-20R	59'	TC. 5 WIRE CABLE. #12 AWG, UL APP'D, W/L21-20R

PDW61L21-20R	61'	TC. 5 WIRE CABLE. #10 AWG, UL APP'D, W/L21-20R
PDW63L21-20R	63'	TC. 5 WIRE CABLE. #10 AWG, UL APP'D, W/L21-20R
PDW65L21-20R	65'	TC. 5 WIRE CABLE. #10 AWG, UL APP'D, W/L21-20R
PDW67L21-20R	67'	TC. 5 WIRE CABLE. #10 AWG, UL APP'D, W/L21-20R
PDW69L21-20R	69'	TC. 5 WIRE CABLE. #10 AWG, UL APP'D, W/L21-20R
PDW71L21-20R	71'	TC. 5 WIRE CABLE. #10 AWG, UL APP'D, W/L21-20R

L21-20R
CONNECTOR

NOTES:
INSTALLATION SHALL COMPLY
WITH ALL APPLICABLE
NATIONAL, STATE, AND LOCAL
CODES.

THIS DRAWING AND SPECIFICATIONS HEREIN ARE THE PROPERTY OF
AMERICAN POWER CONVERSION AND SHALL NOT BE COPIED,
REPRODUCED OR USED IN WHOLE OR IN PART, AS THE BASIS FOR
THE MANUFACTURE OR SALE OF ITEMS WITHOUT WRITTEN PERMISSION
FROM APC. THIS DRAWING IS BASED UPON LATEST AVAILABLE
INFORMATION AND IS SUBJECT TO CHANGE WITHOUT NOTICE.



TITLE:
ISX TC 5WIRE WHIP W/L21-20 11 FT
INPUT: 208VAC, 3φ, 3W+N+GND
OUTPUT: (1) NEMA L21-20R, 20A

DWG NO: PDW(L21-20R)

REV. 4

DRAWN:	M CRAVEN	29-JUL-08	THIRD
ENGINEER:	F SYED	31-JUL-08	ANGLE
APPROVED:	B SHERIDAN	01-AUG-08	PROJ

PROJECT: SUBMITTAL DRAWINGS SHEET 1 OF 1